

傑凱工業設備有限公司

JIEKAI INDUSTRIAL EQUIPMENT CO.,LTD.

電話/TEL : 0769-28057055/28057066/22778262

傳真/FAX : 0769-22778212

免費電話/Toll-free national hotline : 400-800-9738

地址/Add : 廣東省東莞市萬江共聯社區第二工業區
Wangjiang Second Industrial Zone, Dongguan, Guangdong Province.

蘇州傑利凱工業設備有限公司

SUZHOU JIELIKAI INDUSTRIAL EQUIPMENT CO.,LTD.

電話/TEL : 0512-55258321

傳真/FAX : 0512-55258312

免費電話/Toll-free national hotline : 400-808-6198

地址/Add : 江蘇省昆山市經濟開發區馬塘路255號
No. 255, Economic Development Zone, Kunshan City, Jiangsu Province.

天津傑凱泵業有限公司

TIANJIN JIEKAI INDUSTRIAL EQUIPMENT CO.,LTD.

電話/TEL : 022-27934359 13820284148

傳真/FAX : 022-27934359

地址/Add : 天津市西青區楊柳青鎮雙河村
Shuanghe Village, Yangliuqing Town, Xiqing District, Tianjin.

傑凱工業設備有限公司(重慶分公司)

JIEKAI INDUSTRIAL EQUIPMENT CO.,LTD. (CHONGQING BRANCH)

電話/TEL : 023-68151380

傳真/FAX : 023-68151380

地址/Add : 重慶市九龍坡區金科機電城B區117號
No.117 Jinke Electromechanical City, Jiulongpo District, Chongqing.

山東辦事處

SHANDONG BRANCH

電話/TEL : 13954298833

地址/Add : 山東省青島市膠州高家電鍍城
Gaojia Plating City, Jiaozhou, Qingdao, Shandong Province.



Web: www.jk-pump.com www.jkpump.com

E-mail : jkbiz@jk-pump.com

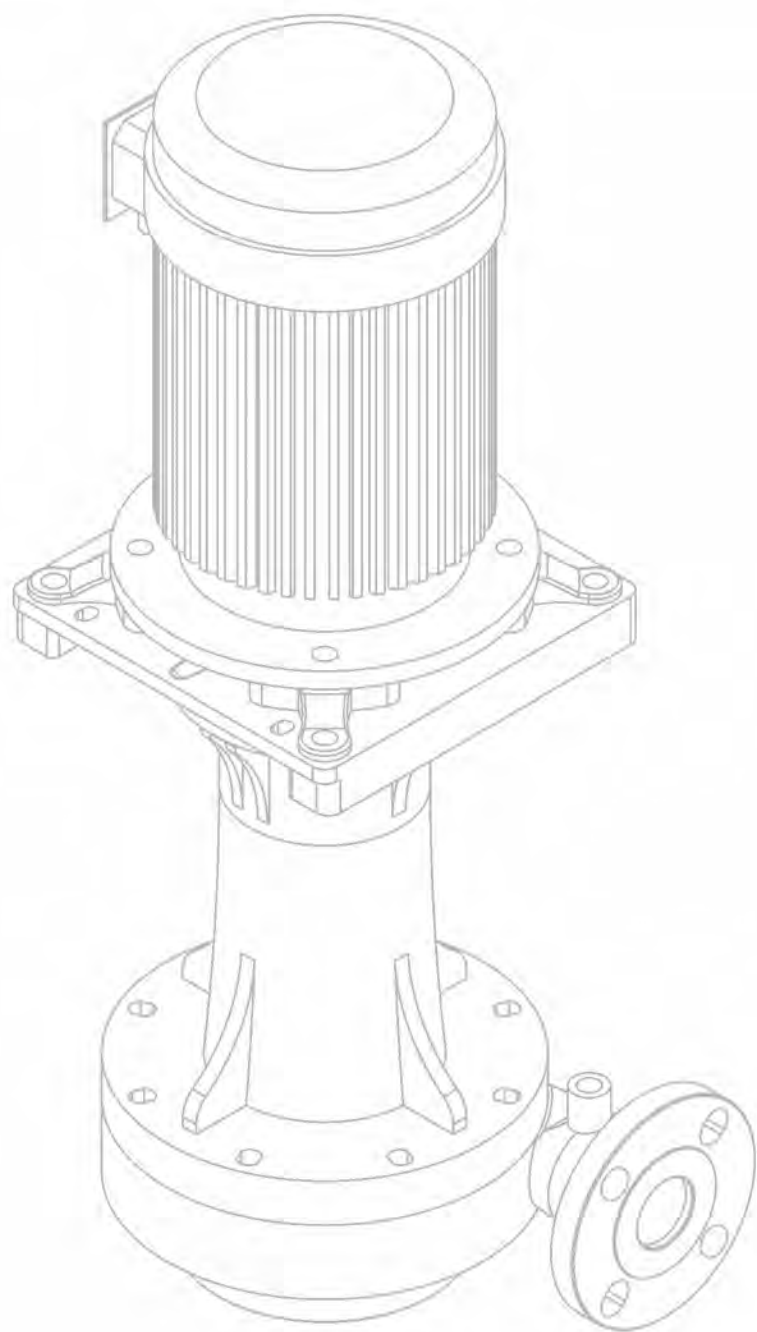
本資料僅供參考, 如有變更恕不另行通知。
This information is for your reference, if change will not inform you again



傑凱泵業

化|工|泵|首|選|品|牌
Chemical Pump, Your First Brand Choice

產品綜合型錄 General Catalog



CONTENTS

目錄

01 公司簡介/Company profile-----01
工程案例/The engineering case-----03
企業文化/Company culture-----05
企業實力/Production strength-----07

02 發展歷程/Company history-----09
品質保證/Honorary certificate-----11

03 直立式泵浦系列/The vertical pump-----13
磁力驅動無軸封泵浦系列/Magnetic drive seal-less pump--20
臥式自吸泵浦系列/Self-priming pump-----24
精密過濾機系列/Precision filter-----27
配套化工泵系列/Auxiliary chemical pump-----34

01

傑凱公司自成立以來，一直秉著“以質量求生存，以技術求發展”的原則，依據國際管理體系，結合國外先進技術，堅持自主研發生產，嚴控產品質量標準，以期為客戶提供更加優質的產品和服務。

歷經多年耕耘，傑凱公司已擁有十餘年化工泵浦與化學藥液精密過濾機的研發及生產技術，並已形成了完善的售前、售中、售後服務體系；目前傑凱公司在全國建立了廣泛的銷售及服務網絡，能及時為客戶提供優質的產品與服務。經過持續不斷發展，傑凱公司已經成為化工泵浦和精密過濾設備領域中的標桿企業！

主營產品：可空轉直立式耐酸鹼泵、耐腐蝕磁力泵、自吸式耐酸鹼泵、耐酸鹼不銹鋼泵、雙塔過濾機、鉻酸過濾機、連續鍍過濾機、水平清洗線過濾機、化學鍍（線）專用過濾機、不銹鋼過濾機等各種化學藥液精密過濾機。

Since established, Jiekai company always insists on "strives for the survival by the quality, technology for the survival by the development" principle, according to the international management system, combined with foreign advanced technology, adhere to independent research and development production, and strictly controls product quality standards, in order to provide customers with high quality products and services.

After years of hard work, Jiekai company has more than 10 years of development and production technology of the chemical pump and precision chemical filter, and has formed the perfect pre-sale, selling and after-sale service system; In China we established a wide sales and service network, timely to provide customers with quality products and services. Through continuous development, Jiekai company has become a chemical pump precision filtration equipment benchmarking enterprise in the field of the industrial.

The main products: idling upright acid and alkali resistant vertical pump, corrosion resistant magnetic pump, self-priming pump, stainless steel acid and alkali resistant pump, twin towers filter, Chromic acid filter, continuous plating, the level of cleaning line filter Chemical plating (nickel) special filter, stainless steel filter, various chemical solution precision filter and so on.

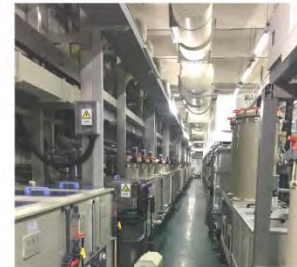
COMPANY PROFILE

公司簡介



ENGINEERING CASE

工程案例



CHOOSE RIGHT PUMP NOTE

選型須知

選型時煩請指明流量、揚程、介質名稱、濃度、溫度、粘度、比重、顆粒物、配管及電源等參數，以便我們為您正確選型。

Please tell us the capacity and head you want, chemical liquid name you use, liquid concentration, temperature, viscosity, specific gravity, particulate matter, piping and electrical source parameters, so that we can choose the right pump for you.



COMPANY CULTURE

企業文化

我們的願景

Our vision

成為化工泵行業最具競爭力的品牌，讓世界有需要的地方就有傑凱。

Become the most competitive brands in chemical pump industry, let the world need Jiekai everywhere.

我們的經營理念

Our business philosophy

- ◆ 為社會創造價值/Create value for the society
- ◆ 為業界創造典範/Create a model for the industry
- ◆ 為市場創造機遇/Create opportunities for market
- ◆ 為客戶創造財富/Create wealth for customers

我們的使命

Our mission

我們致力於打造客戶需要的高品質產品，成為客戶不可或缺的伙伴。

We devote ourself to make high quality products for customer ,make an indispensable partner with customers. indispensable partner customers.

我們的目標

Our goal

傑凱專注於產品的研發與製造，培養有創造力的員工，配備精良的設備，通過不懈的努力成為化工泵行業的優秀公司。為客戶提供一流的產品及服務，為我們的顧客創造更高的價值。

Jiekai focus on product development and manufacturing, develop creative staff, match sophisticated equipment. Through the unremitting efforts to become the excellent company in chemical pump industry. Provide first-class product and service, help customers create higher values.

COMPANY ABILITY

企業實力

嚴謹的流程體系、優勢的生產規模、精益的生產實力。
The rigorous process system, the advantages of the scale of production, lean production strength.

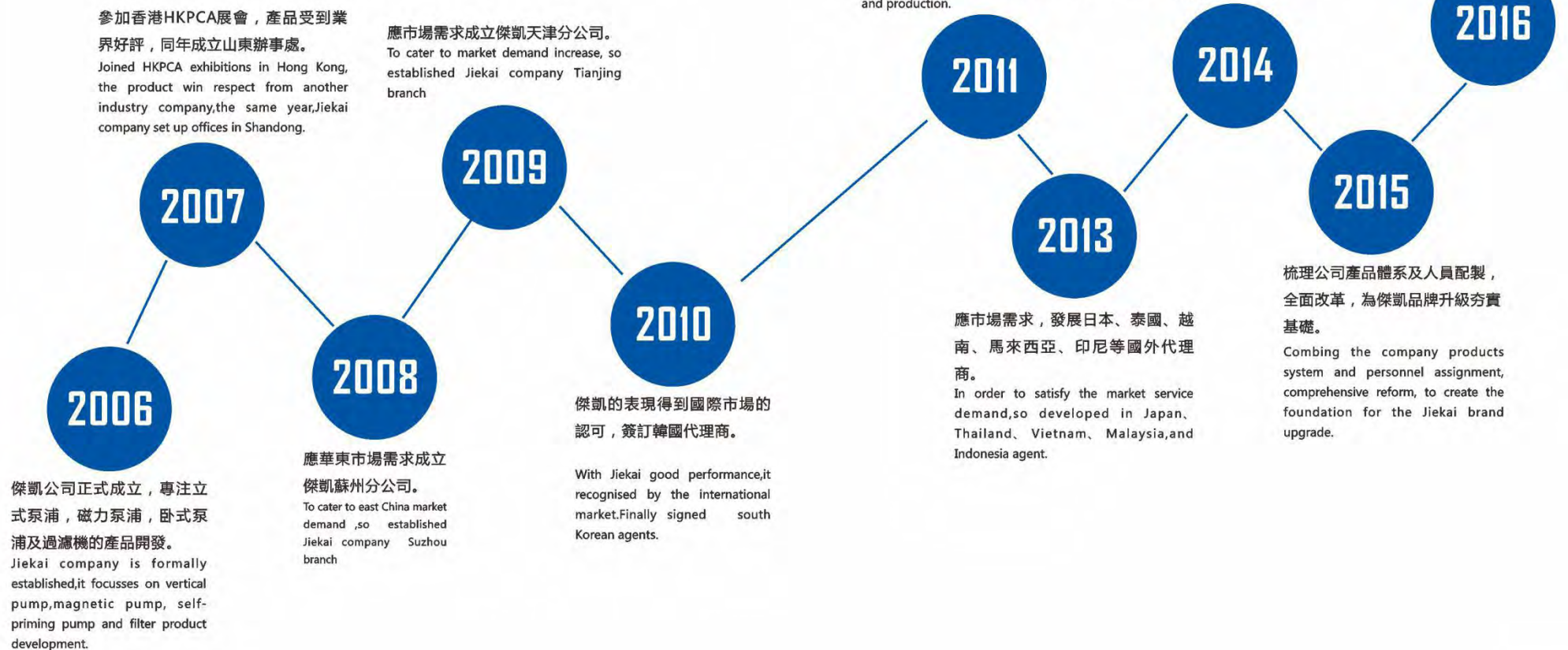
- 自主研發：精準研發，科學設計。
 - 科學嚴謹：參考ISO15783、GB10889、GBT29529設計要求/測試標準。
 - 全製程生產：從源頭到成品，科學管理，精益生產。
 - 直銷直營：廠家直營，專業高效，無假貨、無仿品。
-
- Independent research and development: precise research and development, the reasonable design
 - Rigorous science, reference ISO15783, GB10889, GBT 29529 standard design and test.
 - Whole production process: from the raw material to the finished product, scientific management, lean production.
 - Direct selling and direct management: manufacturer directly, professional and efficient, without the counterfeit goods, without replicas.

02



COMPANY HISTORY

傑凱發展歷程





QUALITY ASSURANCE

品質保證



VERTICAL PUMP SERIES

直立式泵浦系列

JKD

JKH

JKH-D

JKP

JKD-P

JKV

JKD SERIES

◆ JKD系列



產品特點/Product Features

- 採用進口/上市企業優質原物料，大幅提高產品強度及耐腐蝕性；
- 特製的幹式軸封，配合SUS金屬或TI金屬一體軸，可耐空轉、防腐蝕，提高電機壽命；
- 創新型葉輪設計，一體成型工藝，效率高、性能穩定、壽命長；
- 獨特的反葉輪設計，減少水力損失，杜絕洩漏；
- 完全可空轉運行，絕不因空轉而損壞泵浦；
- 適合各種酸鹼液體循環，適用於冷卻、噴洗、蝕刻、廢水處理等製程。
- PP/PVDF raw material from level 1 importer/ listed company.Greatly improved the product strength and corrosion resistance.
- Special dry shaft seal, match SUS metal or TI metal shaft, to let the pump can resistant to idle, corrosion protection, improve motor lifetime.
- Innovative impeller design, molding process, made pump high efficiency, performance stable, long distance life.
- Unique opposite impeller design, to reduce the hydraulic losses, forbids the leakage happens.
- Completely idle running, never due to idle then damages the pump.
- Suitable for all kinds of acid and alkali liquid circulation, suitable for the cooling, spray cleaning, etching, waste water treatment, waste gas treatment process, etc.



規格表/Specifications

規格 Spec.	比重 Sp.	最高溫度/Max.Temp(°C)		50Hz		60Hz		功率 Power (Kw)
		FRPP	PVDF	全揚程 Max.Head (m)	全流量 Max.Capacity (l/min)	全揚程 Max.Head (m)	全流量 Max.Capacity (l/min)	
JKD-40SK-1	1.1	75	100	14.5	280	12.5	240	0.75
JKD-40SK-2	1.1	75	100	18	400	22	330	1.5
JKD-40SK-3	1.1	75	100	22	440	26.2	440	2.2
JKD-50SK-3	1.1	75	100	21.8	530	24	520	2.2
JKD-50SK-5	1.1	75	100	31.8	560	36	620	3.75
JKD-65SK-5	1.1	75	100	28.8	550	28.5	650	3.75
JKD-65SK-7.5	1.1	75	100	34	720	36.5	920	5.5
JKD-65SK-10	1.1	75	100	37.5	860	39.5	1040	7.5
JKD-100SK-7.5	1.1	75	100	31	1250	33.2	1250	5.5
JKD-100SK-10	1.1	75	100	33	1350	35	1500	7.5
JKD-100SK-15	1.1	75	100	35	1700	35.5	1880	11
JKD-100SK-20	1.1	75	100	38	2500	40	2300	15

SP=1.4參數請查閱立式泵浦專冊

SP = 1.4 parameters, please refer to the vertical pump special issue

JKH SERIES

◆ JKH系列



JKH-D SERIES

◆ JKH-D系列



產品特點/Product Features

- 進口/上市企業優質原料，大幅提高產品強度及耐腐蝕性；
- 傑凱定製一體軸電機，保證電機工作之穩定性；
- 創新型葉輪設計，精密成型工藝，效率高，性能穩定，壽命長；
- 六角板、四方板、圓板等多種支撐板結構，輕便、防腐，滿足不同需求；
- 傑凱特製幹式軸封，配合SUS金屬或TI金屬一體軸，完全可應對苛刻的環境。
- PP/PVDF raw materials from level 1 importer/ listed company.Greatly improved the product strength and corrosion resistance.
- Customized brand Quchi motor,adopt Taiwan's advanced technology. It is absolutely 100% original certified products.
- Innovative impeller design, molding process, made pump high efficiency, performance stable, long distance life.
- We have hexagonal plates,square plates,circular plate,and other support plate structure,make the pump lightweight, and can satisfy different needs.
- JieKai special dry shaft seal,match SUS metal or TI metal molding shaft,it can fully cope with the harsh environment.



規格表/Specifications

規格 Spec.	比重 Sp.	最高溫度/Max.Temp(°C)		50Hz		60Hz		功率 Power (Kw)
		FRPP	PVDF	全揚程 Max.Head (m)	全流量 Max.Capacity (l/min)	全揚程 Max.Head (m)	全流量 Max.Capacity (l/min)	
JKH-W-32SK-1	1.1	75	100	19	200	19	160	0.75
JKH-W-32SK-2	1.1	75	100	24	300	25.2	290	1.5
JKH-W-40SK-1	1.1	75	100	16	250	20	280	0.75
JKH-W-40SK-2	1.1	75	100	22.3	380	24	400	1.5
JKH-W-40SK-3	1.1	75	100	28	400	29	400	2.2
JKH-W-40SK-5	1.1	75	100	30	560	30	560	3.75
JKH-W-50SK-7.5	1.1	75	100	35.2	640	44	640	5.5
JKH-W-50SK-10	1.1	75	100	43	650	49.5	680	7.5

SP.=1.4參數請查閱立式泵浦專冊
SP. = 1.4 parameters, please refer to the vertical pump special issue

產品特點/Product Features

- 主體部分採用德國原裝進口原料，可耐強腐蝕液體環境。
- 採用雙葉輪設計，配合高效的雙流道，揚程高，流量大。
- 特製的反葉輪配合密封良好的油封設計，可防止電機及軸承被化學氣體侵蝕。
- 泵浦功率範圍從2.2Kw至5.5Kw。
- 適合各種槽內安裝方式，適用於液體高壓噴洗、蝕刻及循環等製程。
- The pump body adopts Germany imported original raw materials, resistant to strong corrosive liquid environment.
- Adopt double impeller design with effective double channel, high head, large flow.
- Specially opposite impeller with good oil seal designed, the impeller can ensure that prevent motors and bearings by chemical gas etching .
- Pump power range from 2.2 Kw to 5.5 Kw .
- Suitable for all kinds of ingroove installation, suitable for chemical liquid spray
- high pressure cleaning, etching and circulation process, etc.



規格表/Specifications

規格 Spec.	比重 Sp.	入口 Inlet(mm)	出口 Outlet(mm)	50Hz		60Hz		功率 Power (Kw)
				全揚程 Max.Head (m)	全流量 Max.Capacity (l/min)	全揚程 Max.Head (m)	全流量 Max.Capacity (l/min)	
JKH-D-40SK-3	1.1	50	40	24	417	28	420	2.2
JKH-D-40SK-6	1.1	50	40	34.8	490	40	490	4.5
JKH-D-40SK-7.5	1.1	50	40	34.6	790	39.5	790	5.5

JKP SERIES

◆ JKP系列



JKD-P SERIES

◆ JKD-P系列



產品特點/Product Features

- 採用優質原料，大幅提高產品耐腐蝕性及結構強度；
- 完全可空轉運行，絕不因空轉而損壞泵浦；
- 電機可選用不同防腐等級油漆，應對不同的使用環境；
- 適用於槽內安裝，配合不同的出口形式，滿足不同的作業空間；
- 體積小、設計合理、結構簡單、便於安裝、便於維修。
- PP/PVDF raw materials from level 1 importer/ listed company.Greatly improved the product strength and corrosion resistance.
- Completely idle running, never due to idle then damages the pump.
- Motor can choose different proofing maker paint, to dealing with the different use and environment.
- Apply to the installation in tank , with different outlet type, can satisfied different environment.
- Small volume, reasonable design, simple structure, easy to install, easy to maintain



規格表/Specifications

規格 Spec.	比重 Sp.	最高溫度/Max.Temp(°C)		50Hz		60Hz		功率 Power (W)
		FRPP	PVDF	全揚程 Max.Head (m)	全流量 Max.Capacity (l/min)	全揚程 Max.Head (m)	全流量 Max.Capacity (l/min)	
JKP-20SK-1/8	1.1	75	100	3.9	33	4.9	50	90
JKP-20SK-1/6	1.1	75	100	4.5	40	5.2	60	120
JKP-25SK-1/4	1.1	75	100	6	69	7.9	75	180
JKP-25SK-1/3	1.1	75	100	7	78	9.8	100	250
JKP-25SK-1/2	1.1	75	100	13.4	170	13.6	163	370
JKP-25SK-3/4	1.1	75	100	14	220	14.5	240	550
JKP-40SK-1	1.1	75	100	12.5	280	15	350	750
JKP-40SK-2	1.1	75	100	13.8	320	19	350	1500
JKP-40SK-3	1.1	75	100	23.5	450	25	450	2200

SP=1.4參數請查閱立式泵浦專冊

SP = 1.4 parameters, please refer to the vertical pump special issue

產品特點/Product Features

- 採用特製超高分子量UPE材質製成，耐磨損，壽命長；
- 完全可空轉運行，絕不因空轉而損壞泵浦；
- 高效率葉輪配合创新型流道，壓力大；
- 驅動定制電機，台灣先進技術，100%原裝正品。
- Using special UPE material, wear resistance, long service life.
- Completely can idle running.Never due to idle then damage the pump.
- High efficiency impeller with innovative passageway.Gets high pressure.
- Customized brand Quchi motor,adopts Taiwan's advanced technology.It is absolutely 100% original certified products.



規格表/Specifications

規格 Spec.	比重 Sp.	最高溫度 Max.Temp(°C)	50Hz		功率 Power (Kw)
			全揚程 Max.Head (m)	全流量 Max.Capacity (l/min)	
JKD-P-20SP1/4	1.4	80	5	80	0.18
JKD-P-25SP1/2	1.4	80	7	95	0.37
JKD-P-25SP-1	1.4	80	8	110	0.75
JKD-P-40SP-2	1.4	80	10.5	160	1.5
JKD-P-40SP-3	1.4	80	11	230	2.2
JKD-P-50SP-5	1.4	80	14.5	220	3.75
JKD-P-65SP-7.5	1.4	80	18	330	5.5
JKD-P-65SP-10	1.4	80	20	400	7.5



MAGNETIC DRIVE SHAFT SEAL-LESS PUMPS

磁力驅動無軸封泵浦系列



產品特點/Product Features

- 主體採用SUS304或SUS316，可應對不同的使用環境；
- 泵體配件採用精密脫蠟鑄造加工，配件內外均衡平滑，穩定性高；
- 獨特地油封設計，可空轉，防止腐蝕性氣體損壞電機；
- 本機適應直立式安裝，可用於槽內或槽外安裝。
- Pump body adopts the SUS304, SUS316, SUS316 and TI materials, can deal with the different use and environment.
- Pump body spare parts adopt precision wax casting processing, spare parts both inside and outside are equilibrium and smooth, high stability.
- Special vaper design, can idel, to prevent corrosive gas damage the motor .
- The pump can be vertical installation, and can install in tank or out of tank.

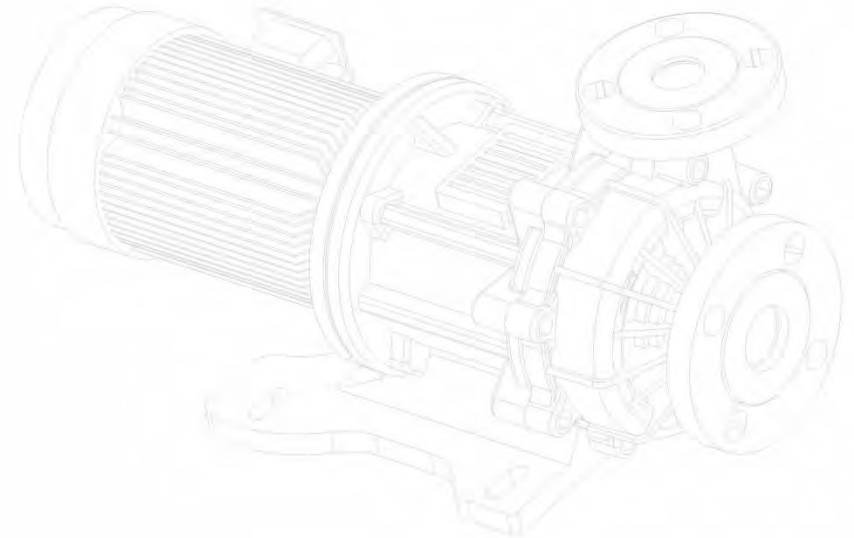


規格表/Specifications

規格 Spec.	比重 Sp.	50Hz		60Hz		功率 Power (Kw)
		全揚程 Max.Head (m)	全流量 Max.Capacity (l/min)	全揚程 Max.Head (m)	全流量 Max.Capacity (l/min)	
JKV-25SK-1/2	1.1	5	80	12.4	100	0.37
JKV-40SK-1	1.1	9.9	300	10.6	310	0.75
JKV-40SK-2	1.1	14.2	340	17.5	340	1.5
JKV-40SK-3	1.1	20	560	20.5	540	2.2
JKV-50SK-5	1.1	22	600	31	600	3.75
JKV-65SK-7.5	1.1	23	840	27	800	5.5
JKV-65SK-10	1.1	23	840	30.5	900	7.5

SP=1.4參數請查閱立式泵浦專冊

SP = 1.4 parameters, please refer to the vertical pump special issue



JMH SERIES

◆ JMH系列



JMX SERIES

◆ JMX系列



產品特點/Product Features

- 泵體採用優質原材料，大幅提高產品耐腐蝕性及結構強度；
 - 一體成型鋼腳架，防腐防漏，易拆易裝；
 - 選用高純度陶瓷及高純度碳化硅配件，更耐腐蝕，耐磨損、耐熱衝擊；
 - 創新型耐空轉結構，提高耐空轉能力；
 - 安裝尺寸通用性強，減少維護成本及人工量；
 - 驅動定制電機，台灣先進技術，100%原裝正品。
- Pump body is using native PP/PVDF, Significantly improved the corrosion resistance and structural strength.
 - An integrated model steel horse, anticorrosive and leakproof, easy takes down and installs.
 - Adopt high purity ceramic and high purity silicon carbide spare parts, corrosion resistance, wear resistance, heat-resisting.
 - Innovative idling resistant structure.To improve the resistance idle ability.
 - Installation size is versatility.Can decrease maintenance cost and human time.
 - Customized brand Quchi motor,adopt Taiwan's advanced technology.It is absolutely 100% original certified products.

規格表/Specifications

規格 Spec.	最高溫度/Max.Temp(°C)		50Hz		60Hz		功率 Power (Kw)
	FRPP	PVDF	全揚程 Max.Head (m)	全流量 Max.Capacity (l/min)	全揚程 Max.Head (m)	全流量 Max.Capacity (l/min)	
JMH-440	75	100	12.8	290	12	260	0.37
JMH-441	75	100	18.5	360	19	330	0.75
JMH-452	75	100	23	430	23	400	1.5
JMH-453	75	100	24.8	530	24	530	2.2
JMH-455	75	100	30	640	31.5	660	3.75
JMH-565	75	100	29.5	830	28	830	3.75
JMH-663	75	100	17	1050	18	1050	2.2
JMH-665	75	100	21	1260	23	1260	3.75



產品特點/Product Features

- 泵體採用優質原材料，大幅提高產品耐腐蝕性及結構強度；
 - 高性能的NdFeB磁鐵，高效，節能，耐用；
 - 驅動定制電機，台灣先進技術，100%原裝正品；
 - 創新型耐空轉結構，提高耐空轉能力；
 - 獨特的軸承設計配合低摩擦係數的材質，減少機械損失，降低熱損壞；
 - 模塊化生產和組裝，結構簡單，牢固，易於維護保養。
- Pump body using native PP (listed companies) /PVDF (import from French). Significantly improved the corrosion resistance and structural strength.
 - Customized brand Quchi motor,adopt Taiwan's advanced technology. It is absolutely 100% original certified products.
 - Adopt high purity ceramic and high purity silicon carbide spare parts, corrosion resistance, wear resistance, heat-resisting.
 - Innovative idling resistant structure.To improve the resistance idle ability.
 - Adopt the unique bearing design with low coefficient friction material, it will reduce the mechanical loss and the heat damage.
 - Modular product and assembly, so the structure is simple, secure and easy to maintain.

規格表/Specifications

規格 Spec.	最高溫度/Max.Temp(°C)		50Hz		60Hz		功率 Power (Kw)
	FRPP	PVDF	全揚程 Max.Head (m)	全流量 Max.Capacity (l/min)	全揚程 Max.Head (m)	全流量 Max.Capacity (l/min)	
JMX-250	75	100	15.8	150	17	153	0.37
JMX-251	75	100	22.8	150	22	153	0.75
JMX-440	75	100	12.8	225	12.8	275	0.37
JMX-441	75	100	17.6	260	16.8	275	0.75
JMX-452	75	100	26.9	450	25	520	1.5
JMX-452H	75	100	32	120	32	160	1.5
JMX-453	75	100	31	520	30	520	2.2
JMX-453H	75	100	35.8	310	37.5	260	2.2

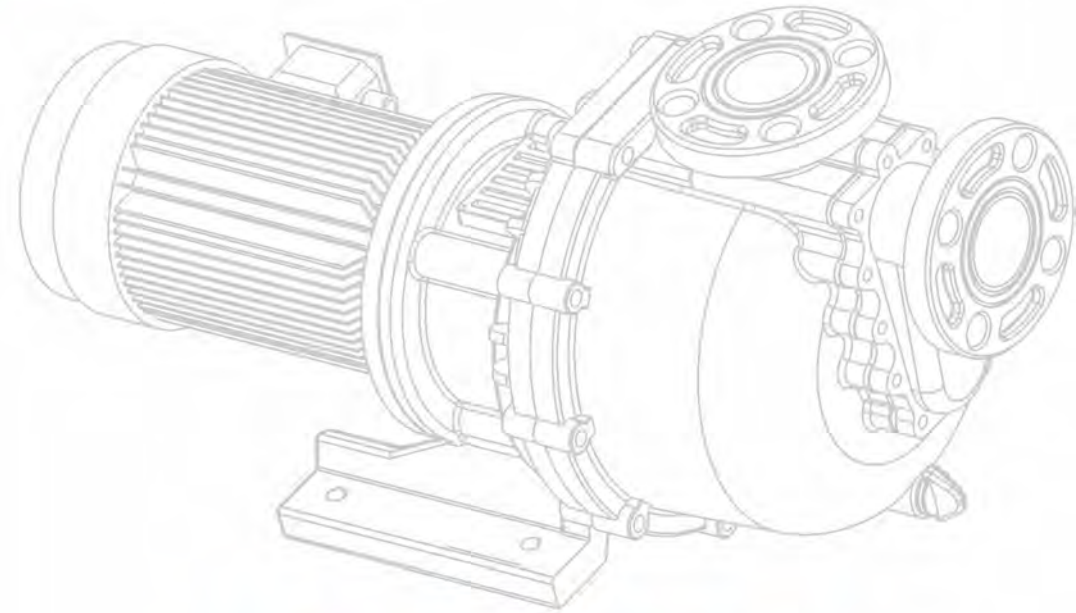


產品特點/Product Features

- 磁力驅動，無軸封設計，完全杜絕“跑、冒、滴、漏”；
- 採用一級原生料，提高產品耐腐蝕性及結構強度；
- 接口多樣(有法蘭、活接、插管)，最大程度滿足客戶需求；
- 模塊化生產和組裝，結構簡單，牢固，易於維護保養。
- Magnetic drive, shaft seal-less design, completely forbids "running, exude, drop, leakage".
- Using primary raw materials, improve product corrosion resistance and structural strength..
- Variety of interface, we have flange, union, intubation, maximum to meet customer demand.
- Modular product and assembly, so the structure is simple, secure and easy to maintain.

規格表/Specifications

規格 Spec.	最高溫度/Max.Temp(°C)		50Hz		60Hz		功率 Power (W)
	FRPP	PVDF	全揚程 Max.Head (m)	全流量 Max.Capacity (l/min)	全揚程 Max.Head (m)	全流量 Max.Capacity (l/min)	
JM-2010	75	100	2	18	3.3	25	10
JM-2020	75	100	3	26	5	29	20
JM-2045	75	100	3.8	31	5.1	39	45
JM-2065	75	100	4.5	45	6.8	53	65
JM-25120	75	100	5.6	60	8.1	66	120
JM-25150	75	100	6.9	85	9.4	98	150
JM-25260	75	100	8.8	120	13.7	120	260



SELF-PRIMING PUMP

臥式自吸泵浦系列



JKB SERIES

◆ JKB系列



產品特點/Product Features

- 泵體採用優質原物料，大幅提高產品耐腐蝕性及結構強度；
- 自吸筒與法蘭一體成型，無焊點，無洩漏；
- 中封蓋一體成型，採用強筋穩固，使用壽命長；
- 高效葉輪設計，一體成型，提高泵浦效率和壽命；
- 軸封材質可配合使用環境選擇不同材質。
- Pump body using native PP (listed companies) /PVDF (import from French).Significantly improved the corrosion resistance and structural strength.
- Self-absorption cylinder and pump body be integrated together ,so pump without welds, without leakage.
- Middle cover is integrated.Adopt strong gluten solid.
- High efficiency impeller designs and an integrated, more improves the pump efficiency and long distance life.
- Shaft seal material can choose different material with different environment.

規格表/Specifications

規格 Spec.	最高溫度/Max.Temp(°C)		50Hz		60Hz		功率 Power (Kw)
	FRPP	PVDF	全揚程 Max.Head (m)	全流量 Max.Capacity (l/min)	全揚程 Max.Head (m)	全流量 Max.Capacity (l/min)	
JKB-40012H	75	100	12.8	244	16	240	0.75
JKB-40014L	75	100	8.2	236	10	270	0.75
JKB-40022L	75	100	17.4	360	21	320	1.5
JKB-40022H	75	100	18.5	360	25	350	1.5
JKB-40032H	75	100	22.5	410	28	400	2.2
JKB-50032L	75	100	21.5	380	21.6	340	2.2
JKB-50032H	75	100	23	410	30	420	2.2
JKB-50052H	75	100	28.5	960	35	540	3.75
JKB-75052H	75	100	26	750	34	660	3.75
JKB-75072H	75	100	27	900	38.5	980	5.5
JKB-75102H	75	100	28.5	960	40	1050	7.5
JKB-L-75072	75	100	30	820	*	*	5.5
JKB-L-75102	75	100	35.5	900	*	*	7.5

JKA SERIES

◆ JKA系列



產品特點/Product Features

- 本體採用SUS材質配合高溫材質，耐高溫、耐腐蝕；
- 採用進口軸封，安全無洩漏；
- 泵體配件採用高精度脫蠟鑄造加工，誤差小，性能穩定，壽命長；
- 特殊設計的葉輪，聲噪小，效率高，壽命長；
- 可依據不同介質環境，選取SUS304及SUS316主體材質。
- Pump body is using SUS material with high temperature resistant filter materials, resistant high temperature and corrosion.
- Adopt safety of imported shaft seal, without leakage.
- Pump body spare parts adopt precision wax casting processing, small error, stable performance, long distance life.
- Special design of the impeller, noise small, high efficiency, long life.
- According to the different environment,pump body can adopt the SUS304, SUS316, SUS316 and TI materials.

規格表/Specifications

規格/Spec.	50Hz		60Hz		功率 Power (Kw)
	全揚程 Max.Head (m)	全流量 Max.Capacity (l/min)	全揚程 Max.Head (m)	全流量 Max.Capacity (l/min)	
JKA-25-1/2	11.3	125	11.5	120	0.37
JKA-40-1	16.5	340	14.8	300	0.75
JKA-40-2	20	360	24	430	1.5
JKA-50-3	22	480	25	400	2.2
JKA-50-5	32.5	700	33	540	3.75
JKA-65-5	20	900	23.5	900	3.75
JKA-65-7.5	28	1100	33	950	5.5
JKA-80-7.5	28	1200	32.3	1100	5.5
JKA-80-10	28.2	1300	34.2	1300	7.5

JK SERIES

◆ JK系列

PRECISION FILTER

精密過濾機系列

JK

JKS

JKL

JKK

JKC

JLK

產品特點/Product Features

- 過濾機桶採用FRPP材料一體成型，可根據客戶要求選擇PVDF、PVC及透明亞克力材質；
- 超厚的過濾機濾桶，配合加強型固定扣環，完全滿足工作壓力需求；
- 配合加強型把手，結構更牢固，操作更方便；
- 可配不同種類濾材，高效過濾，適用範圍廣泛；
- 可廣泛用於酸鹼液體，電鍍液，蝕刻液，清洗液等工況。
- Filter house adopts FRPP material injection molding, according to the customer request can choose PVDF and transparent acrylic material, PVC material.
- The thickened filtering house structure, can satisfy the product work pressure needs, security and firm are reliable.
- Enhanced star handles, the structure will be firmer, and operation will be more convenient.
- Suitable scope is broad. The filter can match different filter materials. It has a high efficiency filter function.
- Can be widely used in acid and alkali liquid, plating solution, etching liquid, cleaning fluid condition and so on.



規格表/Specifications

規格 Spec.	參考過濾量 Capacity(l/min)	濾桶材質 Casing.M	濾芯規格 Cartridges	最高溫度 Max.Temp(°C)	泵浦功率 Power(Kw)	出入口徑 Inlet*Outlet(mm)
JK-1001	15	FRPP	10" * 1	70	0.045	20*20
JK-1004	60	FRPP	10" * 4	70	0.15	25*25
JK-2001	30	FRPP	20" * 1	70	0.065	20*20
JK-2004	80	FRPP	20" * 4	70	0.25	25*25
JK-2006	150	FRPP	20" * 6	70	0.75	40*40
JK-2008	180	FRPP	20" * 8	70	0.75	40*40
JK-2008	220	FRPP	20" * 8	70	1.5	50*50
JK-2012	250	FRPP	20" * 12	70	1.5	50*50
JK-2018	330	FRPP	20" * 18	70	2.2	50*50
JK-3018	440	FRPP	30" * 18	70	2.2	50*50

JKS SERIES

◆JKS系列



產品特點/Product Features

- 採用雙濾桶設計，第一桶進行初步過濾，第二桶進行活性炭過濾/濾芯過濾，以適合客戶精密過濾要求。
- 過濾桶一體成型壓鑄，無氣孔，絕對避免介質洩漏。
- 超厚的過濾桶結構，完全滿足工作壓力要求，安全牢固。
- 精密智能防超載開關，避免設備異常運行，延長使用壽命。
- 可配不同種類濾材，高效過濾，適用範圍廣泛。
- 加強型固定扣環和加強型螺絲，提高扣環抗扭矩負載，保證結構牢固耐用。
- 新款加強型把手，結構更牢固，操作更方便。
- Adopts double filtering housing design (three filtering process), first housing is preliminary filter, the second housing is activated carbon filtration/ filter filtration, finally suitable customer precise filtration requirements.
- Filter housing is integrated die casting, no pores, absolutely avoid liquid leaks.
- The ultra thick filter housing with enhanced fixed frame clamp, it can fully meet the pressure of work demand.
- Precision control intelligent switch prevent overload, avoid abnormal operation, extend service life.
- Suitable scope is broad. The filter can match different filter cartridge ,it has a high efficiency filter function .
- Strengthen the fixed frame and reinforced screw. Improve frame clamp torque load and ensure the structure firm and durable.
- New enhanced star handle ,it have many advantages:structure firmer, more convenient operation.

規格表/Specifications

規格 Spec.	參考過濾量 Capacity (l/min)	濾桶材質 Casing.M	第一塔濾材規格 The First Tower			第二塔濾材規格 The Second Tower			最高溫度 Max.Temp(°C)	泵浦功率 Power(Kw)	出入口徑 Outlet*Inlet (mm)
			濾芯規格 Cartridges	濾芯規格 Cartridges	濾紙規格 Cartridges	濾芯規格 Cartridges	濾紙規格 Cartridges				
JKS-2006	150	FRPP	20" * 6	10" * 6	Φ234*40	70	0.75	40*40			
JKS-2008	220	FRPP	20" * 8	10" * 6	Φ234*40	70	1.5	50*50			
JKS-2012	250	FRPP	20" * 12	10" * 6	Φ302*40	70	1.5	50*50			
JKS-2018	330	FRPP	20" * 18	10" * 6	Φ370*40	70	2.2	50*50			

JKL SERIES

◆JKL系列



產品特點/Product Features

- 標配濾桶材質為PVC、泵浦材質為PVDF，適合鉻酸鍍液循環過濾。
- 加強型固定扣環和加強型螺絲，提高扣環抗扭矩負載，保證結構牢固耐用。
- 優質隔膜式壓力錶，運用性強，使用壽命長。
- 新款加強型星型把手，結構更牢固，操作更方便。
- Standard:filter housing material is PVC,pump material is PVDF , suitable for cycle and filter chromic acid liquid .
- Strengthen fixed buckle and reinforced screw, improve the frame clamp torque load and ensure the structure is firm and durable.
- High quality diaphragm pressure gauge, versatility, and long distance life .
- New enhanced star handle, structure more solid, operation more convenient.

規格表/Specifications

規格 Spec.	參考過濾量 Capacity (l/min)	濾桶材質 Casing.M	濾芯規格 Cartridges	最高溫度 Max.Temp(°C)	泵浦功率 Power(Kw)	出入口徑 Outlet*Inlet (mm)
JKL-1004	40	PVC	10" * 4	60	0.15	25*25
JKL-2004	80	PVC	20" * 4	60	0.25	25*25
JKL-2006	160	PVC	20" * 6	60	0.75	40*40
JKL-2008	180	PVC	20" * 8	60	1.5	50*50
JKL-2012	220	PVC	20" * 12	60	1.5	50*50
JKL-2018	330	PVC	20" * 18	60	2.2	50*50

JKK SERIES

◆ JKK系列



產品特點/Product Features

- 適合LCD/LED/PCB等精密水平生產線之過濾設備。
- 超厚的濾桶，確保滿足工作壓力需求。
- 使用傑凱品牌可空轉式耐酸鹼泵，效率高，性能穩定。
- 體積小，易安裝，維護方便。
- The filter suitable for LCD/LED/PCB precision filtration equipment level line.
- The ultra thick filter housing with enhanced fixed frame clamp, it can fully meet the pressure of work demand.
- Match up Jiekai idling and corrosion resistant pump, high efficiency and the performance will be more stable.
- Small volume, easy to install, easy to maintain.

規格表/Specifications

規格 Spec.	參考過濾量 Capacity (l/min)	濾桶材質 Casing.M	濾芯規格 Cartridges	最高溫度 Max.Temp(°C)	泵浦功率 Power(Kw)	出入口徑 Inlet*Outlet (mm)
JKK-1003	160	FRPP	10" * 3	70	0.75	40*40
JKK-1003	180	FRPP	10" * 3	70	1.5	40*40
JKK-1003	330	FRPP	10" * 3	70	2.2	40*50
JKK-1003	480	FRPP	10" * 3	70	3.7	40*50

JKC SERIES

◆ JKC系列



產品特點/Product Features

- 本機為化學電鍍專用機；
- 過濾桶採用FRPP材質製作，具有耐高溫耐酸鹼的特性；
- 配合使用可空轉直立式耐腐蝕泵，性能穩定；
- 配合加強型把手，結構更牢固，操作更方便；
- 超厚的過濾機濾桶，配合加強型的固定扣環，完全滿足工作壓力需求。
- This machine is chemical plating machine.
- Filtering house made of PP material, has high temperature resistant to acid and alkali resistant feature.
- Cooperate with corrosion resistant pump, the performance will be more stable.
- Enhanced star handles, the structure will be firmer, and operation will be more convenient.
- The thickened filtering house structure, can satisfy the product work pressure needs, security and firm are reliable.

規格表/Specifications

規格 Spec.	參考過濾量 Capacity (l/min)	濾桶材質 Casing.M	濾芯規格 Cartridges	最高溫度 Max.Temp(°C)	泵浦功率 Power(Kw)	出入口徑 Inlet*Outlet (mm)
JKC-1004	40	FRPP	10" * 4	70	0.25	25*25
JKC-2004	80	FRPP	20" * 4	70	0.37	25*25
JKC-2006	160	FRPP	20" * 6	70	0.75	40*40
JKC-2008	180	FRPP	20" * 8	70	1.5	40*40
JKC-2012	220	FRPP	20" * 12	70	1.5	40*40
JKC-2018	330	FRPP	20" * 18	70	2.2	50*50
JKC-3018	440	FRPP	30" * 18	70	2.2	50*50



AUXILIARY CHEMICAL PUMP

配套化工泵浦系列

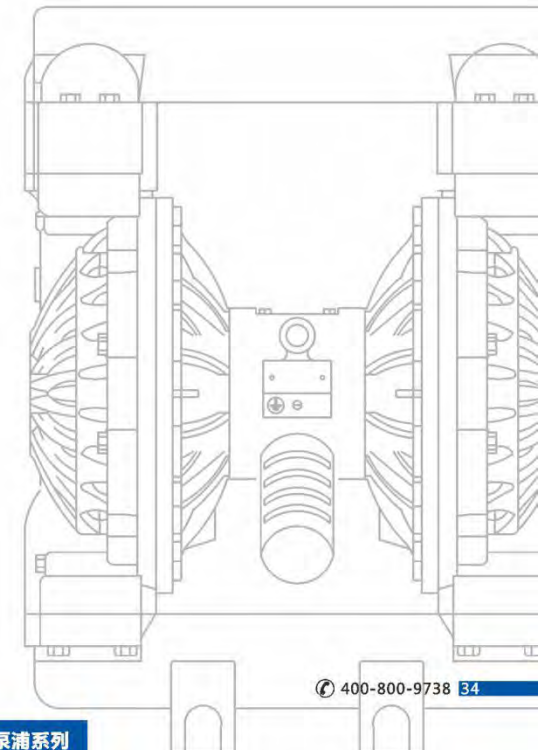


產品特點/Product Features

- 本機型有SUS304、SUS316材質可選；
- 可配不同種類濾材，高效過濾，使用範圍廣泛；
- 加強型緊固件，耐壓高，安全耐用；
- 適用於高溫、易燃、易爆及易揮發之液體環境。
- This machine has SUS304, SUS316 material for option.
- Suitable scope is broad. The filter can match different filter materials, it has a high efficiency filter function.
- Enhanced solid parts, high voltage, safe and durable.
- Suitable for high temperature, flammable, explosive and volatile liquid environment.

規格表/Specifications

規格 Spec.	參考過濾量 Capacity(l/Min)	濾桶材質 Casing.M	濾芯規格 Cartridges	或濾袋子式 Or Bag Filter	最高溫度 Max.Temp(°C)
JLK-2003	100-200	SUS304/SUS316	20*3	Φ180*450	200
JLK-2005	167-334	SUS304/SUS316	20*5	Φ180*450	200
JLK-2006	200-400	SUS304/SUS316	20*6	Φ200*450	200
JLK-2007	233-466	SUS304/SUS316	20*7	Φ230*450	200
JLK-2008	267-534	SUS304/SUS316	20*8	Φ230*450	200





產品特點/Product Features

- 無需電力，具防爆特性，可輸送易燃易爆的介質；
- 無動密封，可干轉而不會損壞泵浦；
- 無葉輪，低切力，材質壽命長，能耗損失小；
- 可液下操作，安裝靈活方便，易於維護；
- 可輸送高粘度、含部分顆粒之液體；
- 耐腐蝕主體及膜片，可輸送強酸、強鹼及有機溶劑等介質。
- No need electricity, and the pump has explosion-proof features. It can deliver flammable and explosive liquid.
- No dynamic seal, can turn dry and will not damage the pump.
- No impeller, low shear, material life is long, energy loss is little.
- Can be operated under liquid. Install convenience and maintain easy.
- Can deliver high viscosity and containing some particles liquid.
- Corrosion resistant pump body and the diaphragm, able to convey strong acid and alkali liquid, organic solvent liquid and so on.

規格表/Specifications

規格 Spec.	自吸揚程Self-priming(Nwc)		最大顆粒直徑 Max. Particle Diameter(mm)	入口 Inlet(In)	出口 Outlet(In)	全流量 Max.Capacity (l/min)	全揚程 Max.Head (m)	可選材質 (Material)
	幹 Waterless	濕 Wet						
JMK-06/10	3.4	6.4	1.6	1/4	3/8	27	70	PP
JMK-15/20	4	7.6	2.5	1/2	3/4	57	84	FRPP
JMK-25	4	8	4	1	1	157	84	SUS316
JMK-40	5	8	5	1	1/2	358	84	SUS316L
JMK-50	5	8	6	2	2	587	84	AL
JMK-80	5	8	9.4	3	3	1060	84	TEFLON



產品特點/Product Features

- 體積小，重量輕，適合各種使用場所；
- 配合多種耐腐蝕材質，可根據具體介質選取最合適的材質；
- 流量精準且穩定，亦可在工作過程中調節設備；
- 逆止閥採用雙球結構或彈簧加壓結構，精密度高，壽命長；
- 結構簡單，維修方便，節省成本。
- Small volume, light weight, suitable for all kinds of places.
- Match a variety of corrosion resistant material, according to the specific chemical liquid and you can choose the most suitable material.
- Precise and stable capacity, the pump can be adjust the equipment in the working process.
- Check valve adopt double ball structure or spring-loaded structure, with high precision, long distance life.
- The pump structure is simple, so maintain it more convenient, and you can save the cost.

規格表/Specifications

項目/Model		KS系列/KS Series	KSH系列/KSH Series	TKS系列/TKS Series
最大排出量 Max.Capacity(l/min)	50Hz	1650	820	10000
	60Hz	2050	1020	11000
最大排出壓力/Max Head(kgf/cm2)		15	10	10
接頭類型/Connection		軟管/法蘭 Hose/Flange	軟管/法蘭 Hose/Flange	法蘭/Flange
最大功率/Power(W)		60	60	200
泵體材質/Pump Material		PVC/SUS316/TEFLON	PVC/SUS316/TEFLON	PVC/SUS316/TEFLON
膜片材質/Diaphragm Material		PTFE+EPDM	PTFE+EPDM	PTFE+EPDM