

傑凱工業設備有限公司

JIEKAI INDUSTRIAL EQUIPMENT CO.,LTD.

電話/TEL : 0769-28057055/28057066/22778262

傳真/FAX : 0769-22778212

免費電話/Toll-free hotline : 400-800-9738

地址/Add : 廣東省東莞市萬江共聯社區第二工業區

Wangjiang Second Industrial Zone, Dongguan, Guangdong Province

蘇州傑利凱工業設備有限公司

SUZHOU JIELIKAI INDUSTRIAL EQUIPMENT CO.,LTD.

電話/TEL : 0512-55258321

傳真/FAX : 0512-55258312

免費電話/Toll-free hotline : 400-808-6198

地址/Add : 江蘇省昆山市經濟開發區馬塘路255號

No.255, Economic Development Zone, Kunshan City, Jiangsu Province

天津傑凱泵業有限公司

TIANJIN JIEKAI INDUSTRIAL EQUIPMENT CO.,LTD.

電話/TEL : 022-27934359 13820284148

傳真/FAX : 022-27934359

地址/Add : 天津市西青區楊柳青鎮雙河村

Shuanghe Village, Yangliuqing Town, Xiqing District, Tianjin

傑凱工業設備有限公司 (重慶分公司)

JIEKAI INDUSTRIAL EQUIPMENT CO.,LTD. (CHONGQING BRANCH)

電話/TEL : 023-68151380

傳真/FAX : 023-68151380

地址/Add : 重慶市九龍坡區金科機電城B區117號

No.117 Jinke Electromechanical City, Jiulongpo District, Chongqing

山東辦事處

SHANDONG BRANCH

電話/TEL : 13954298833

地址/Add : 山東省青島市膠州高家電鍍城

Gaojia Plating City, Jiaozhou, Qingdao, Shandong Province



Web: www.jk-pump.com

E-mail: jkbiz@jk-pump.com

本資料僅供參考，如有變更恕不另行通知。
This information is for your reference, if change will not inform you again



磁力驱动无轴封泵浦 MAGNETIC DRIVE PUMP



傑凱泵業

化工泵首選品牌

CHEMICAL PUMP, YOUR FIRST BRAND CHOICE



COMPANY PROFILE 公司簡介

傑凱公司自成立以來，一直秉著“以質量求生存，以技術求發展”的原則，依據國際管理體系，結合國外先進技術，堅持自主研發生產，嚴控產品質量標準，以期為客戶提供更加優質的產品和服務。

歷經多年耕耘，傑凱公司已擁有十餘年化工泵浦與化學藥液精密過濾機的研發及生產技術，並已形成了完善的售前、售中、售後服務體系；目前傑凱公司在全國建立了廣泛的銷售及服務網絡，能及時為客戶提供優質的產品與服務。經過持續不斷發展，傑凱公司已經成為化工泵浦和精密過濾設備領域中的標桿企業！

主營產品：可空轉直立式耐酸鹼泵、耐腐蝕磁力泵、自吸式耐酸鹼泵、耐酸鹼不銹鋼泵、雙塔過濾機、鉻酸過濾機、連續鍍過濾機、水平清洗線過濾機、化學鍍（鎳）專用過濾機、不銹鋼過濾機等各種化學藥液精密過濾機。

Since established, Jiekai company always insists on "strives for the survival by the quality, technology for the survival by the development" principle, according to the international management system, combined with foreign advanced technology, adhere to independent research and development production, and strictly controls product quality standards, in order to provide customers with high quality products and services.

After years of hard work, Jiekai company has more than 10 years of development and production technology of the chemical pump and precision chemical filter, and has formed the perfect pre-sale, selling and after-sale service system; In China we established a wide sales and service network, timely to provide customers with quality products and services. Through continuous development, Jiekai company has become a chemical pump precision filtration equipment benchmarking enterprise in the field of the industrial.

The main products: idling upright acid and alkali resistant vertical pump, corrosion resistant magnetic pump, self-priming pump, stainless steel acid and alkali resistant pump, twin towers filter, Chromic acid filter, continuous plating, the level of cleaning line filter Chemical plating (nickel) special filter, stainless steel filter, various chemical solution precision filter and so on.

COMPANY ABILITY 企業實力

嚴謹的流程體系、優勢的生產規模、精益的生產實力。
The rigorous process system, the advantages of the scale of production, lean production strength.

- 自主研發：精準研發，科學設計。
- 科學嚴謹：參考ISO15783、GB10889、GBT29529設計要求/測試標準。
- 全製程生產：從源頭到成品，科學管理、精益生產。
- 直銷直營：廠家直營，專業高效，無假貨、無仿品。
- Independent research and development: precise research and development, the reasonable design
- Rigorous science, reference ISO15783, GB10889, GBT 29529 standard design and test.
- Whole production process: from the raw material to the finished product, scientific management, lean production.
- Direct selling and direct management: manufacturer directly, professional and efficient, without the counterfeit goods, without replicas.



ENGINEERING CASE

工程案例



CHOOSE RIGHT PUMP NOTE

選型時煩請指明流量、揚程、介質名稱、濃度、溫度、粘度、比重、顆粒物、配管及電源等參數，以便我們為您正確選型。

選型須知

Please tell us the capacity and head you want, chemical liquid name you use, liquid concentration, temperature, viscosity, specific gravity, particulate matter, piping and electrical source parameters, so that we can choose the right pump for you.

PRODUCT FEATURES

磁力泵產品特性



進口/上市企業原生材料，大幅提高產品強度及耐腐蝕性。

Raw material from level 1 importer/ listed company. Greatly improved the product strength and corrosion resistance.



高性能的NdFeB磁鐵，高效，節能，耐用。

High performance NdFeB magnet, so that make product high efficiency, energy saving, durable.

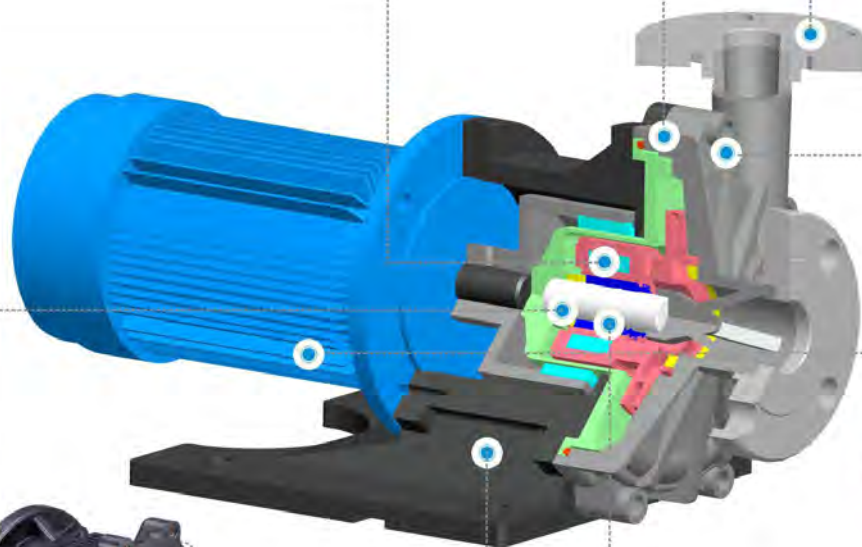


選用高純度陶瓷及碳化硅配件，更耐腐蝕、耐磨損、耐熱衝擊。

Adopt high purity ceramic and high purity silicon carbide spare parts, it will be more corrosion resistance, wear resistance, heat-resistant.

一體成型塑鋼腳架，防腐防漏，易拆易裝。

Unicase model steel, Prevent corrosion and leakage. Easy take down and install.



安裝尺寸通用性強，減少維護費用及人工成本。

Versatility installation size, it will reduce maintenance costs and labor cost.



前蓋一體成型，無人工焊接，杜絕洩漏。

Unicase Front covers, with no manual welding, to forbid leakage.



驅馳定制電機，台灣先進技術，100%原裝正品。

customized brand Quchi motor, adopt Taiwan's advanced technology. It is absolutely 100% original certified products.



創新型耐空轉結構，獨特的軸承設計配合低摩擦係數的材質，減少機械損失，提高耐空轉能力。

Innovative idling resistant structure, unique bearing design with low coefficient of friction material, to reduce the mechanical loss, and enhance the ability of resistance to idle.

JMH SERIES

◆ JMH系列



● 性能特點/Feature Description

- 泵體採用優質原生材料，大幅提高產品耐腐蝕性及結構強度。
- 法蘭連接件與法蘭分體式設計，防腐防漏，易拆易裝。
- 採用高效耐空轉結構，提高耐空轉能力。
- 選用高純度陶瓷及碳化硅配件，更耐腐蝕、耐磨損、耐熱衝擊。
- 安裝尺寸通用性強，減少維護成本及人工量。
- 泵浦功率範圍從0.37Kw至3.75Kw，輸送流量範圍大，材質可選用CFRPP/PVDF/FRPP/ETFE/PFA。
- 可耐各種酸鹼液體，適用於酸鹼液循環、蝕刻、電鍍、噴塗、貴重液體及易燃易爆之環境。
- Pump body is using native, Significantly improved the corrosion resistance and structural strength.
- Flanged fittings and flange separation design, anticorrosion and leakproof, Easy take down and install.
- Innovative idling resistant structure.To improve the resistance idle ability.
- Adopt high purity ceramic and high purity silicon carbide spare parts, corrosion resistance, wear resistance, heat-resisting
- Installation size is versatility.Can decrease maintenance cost and human time.
- Pump power range from 0.37 Kw to 3.75 Kw, can convey large capacity, the material can choose CFRPP/PVDF/FRPP/ETFE/PFA.
- Resistant to acid and alkali liquid, applied to acid alkali liquid circulation, etching, electroplating, spraying, valuable, flammable and explosive environment.

● 型號表示方法/Model Representation Method

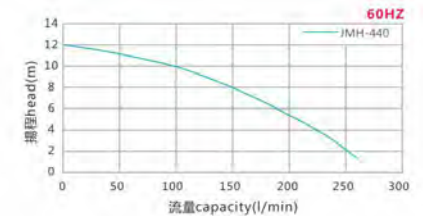
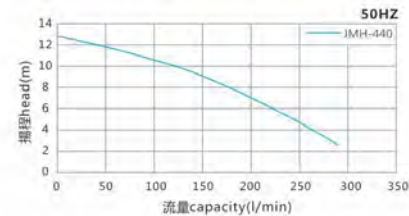
JMH- F- 44 0 C C V 5

- 機型編號/Model : JMH
- 泵體材質/Material : F-FRPP P-PVDF E-ETFE A-PFA C-CFRPP
- 出入口徑/Outlet-Inlet : 44-40*40 45-40*50 56-50*65 66-65*65
- 功率/Power : 0-1/2HP 1-1HP 2-2HP 3-3HP 5-5HP
- 軸心/Shaft : C-陶瓷Ceramic S-SSIC
- 軸承材質/Bearing Material : C-碳素Carbon S-SSIC
- 橡膠材質/Rubber : E-EPDM V-VITON N-NBR
- 頻率/Frequency : 5-50HZ 6-60HZ

● 規格表/Specifications

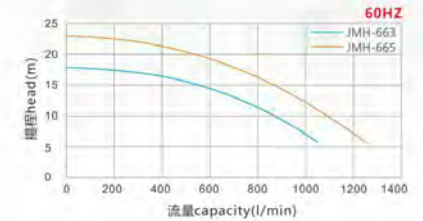
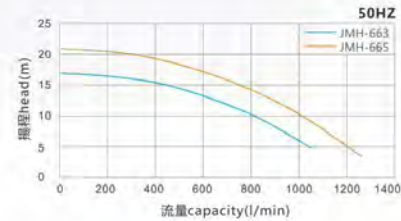
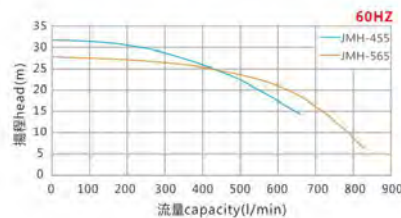
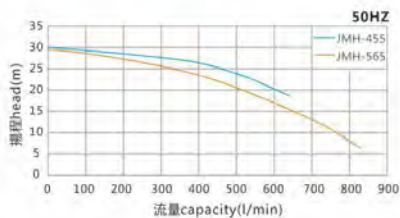
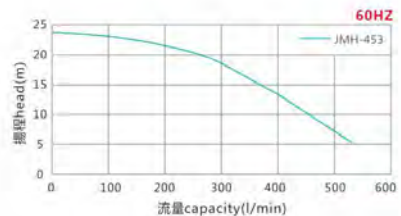
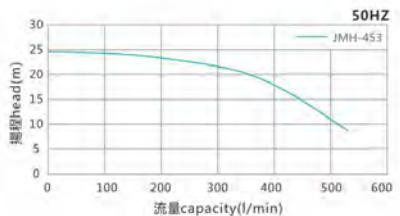
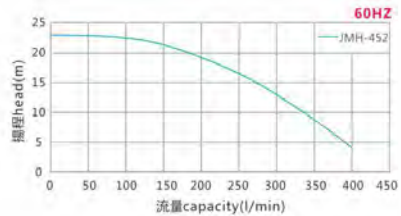
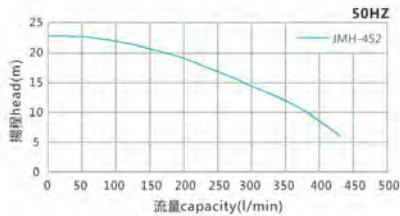
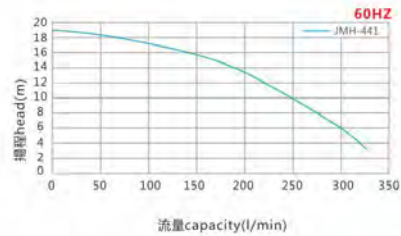
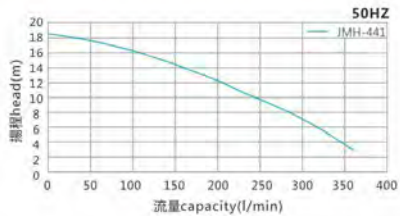
規格 Spec.	入口 Inlet(mm)	出口 Outlet(mm)	50Hz		60Hz		泵浦功率 Power(Kw)
			全揚程 Max.Head (m)	全流量 Max.Capacity (l/min)	全揚程 Max.Head (m)	全流量 Max.Capacity (l/min)	
JMH-440	40	40	12.8	290	12	260	0.37
JMH-441	40	40	18.5	360	19	330	0.75
JMH-452	50	40	23	430	23	400	1.5
JMH-453	50	40	24.8	530	24	530	2.2
JMH-455	50	40	30	640	31.5	660	3.75
JMH-565	65	50	29.5	830	28	830	3.75
JMH-663	65	65	17	1050	18	1050	2.2
JMH-665	65	65	21	1260	23	1260	3.75

● 性能曲線/Performance Curve

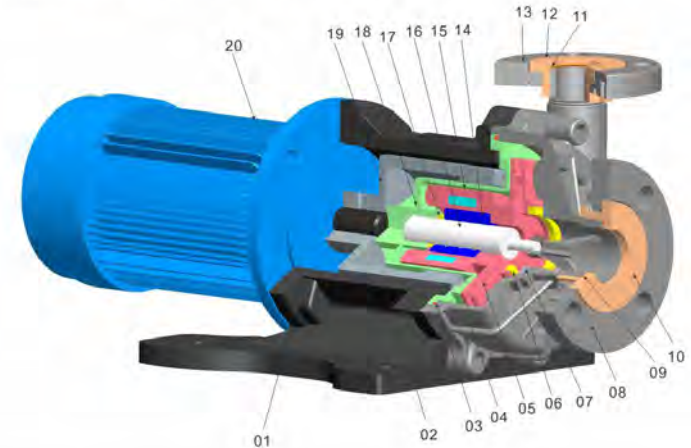


JMH SERIES

◆ JMH系列



● 材質構造圖/Material Structure Diagram



編號 Part Code	名稱 Part Name	可選材料 Available Materials	編號 Part Code	名稱 Part Name	可選材料 Available Materials
01	腳架/Horse	FRPP	11	出口法蘭O環/Outlet Flange O Ring	VITON / EPDM
02	底座/Bracket	FRPP(3.75KW)	12	連接座(法蘭頭)/Connection (Flange)	FRPP / PVDF / CFRPP / ETFE / PFA
03	前蓋O環/Front Cover O Ring	VITON / EPDM	13	出口法蘭/Flange Outlet	FRPP / PVDF / CFRPP / ETFE / PFA
04	前蓋/Front Cover	FRPP / PVDF / CFRPP / ETFE / PFA	14	軸承/Bearing	SSIC / CARBON / RULON
05	葉輪/Impeller	FRPP / PVDF / CFRPP / ETFE / PFA	15	內磁鐵/The Magnetic Capsule	PP / PVDF / ETFE / PFA+ND-FE-B
06	前磨損環/Wearing Ring	SSIC / CERAMIC / RULON	16	軸心/Axis	SSIC / CERAMIC
07	前止推環/Front Thrust Ring	SSIC / CERAMIC	17	後止推環/Rear Thrust Ring	SSIC / CERAMIC
08	進口法蘭/Flange Inlet	FRPP / PVDF / CFRPP / ETFE / PFA	18	後蓋/Rear Cover	FRPP / PVDF / CFRPP / ETFE / PFA
09	進口法蘭O環/Inlet Flange O Ring	VITON / EPDM	19	外磁/Outside Magnetic	ND-FE-B
10	連接座(法蘭頭)/Connection (Flange)	FRPP / PVDF / CFRPP / ETFE / PFA	20	電機/Motor	FC / AL



● 性能特點/Feature Description

- 泵體採用優質原生材料，大幅提高產品耐腐蝕性及結構強度。
- 創新型耐空轉結構，提高耐空轉能力。
- 安裝尺寸通用性強，減少維護成本及人工量。
- 一體成型塑鋼腳架，防腐防漏，易拆易裝。
- 泵浦功率範圍從0.37Kw至3.75Kw，多種接口規格，材質可選用CFRPP/PVDF/FRPP/ETFE/PFA。
- 可耐各種酸鹼液體，適用於酸鹼液循環、蝕刻、電鍍、噴塗、貴重液體及易燃易爆之環境。
- Pump body using native, Significantly improved the corrosion resistance and structural strength.
- Innovative idling resistant structure. To improve the resistance idle ability.
- Installation size is versatility. Can decrease maintenance cost and human time.
- Unicase model steel horse, prevent corrosion and leakage. Easy take down and install.
- Pump power range from 0.37 Kw to 3.75 Kw, can convey large capacity, the material can choose CFRPP/PVDF/FRPP.
- Resistant to acid and alkali liquid, applied to acid alkali liquid circulation, etching, electroplating, spraying, valuable, flammable and explosive environment.

● 型號表示方法/Model Representation Method

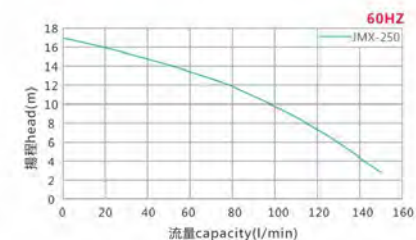
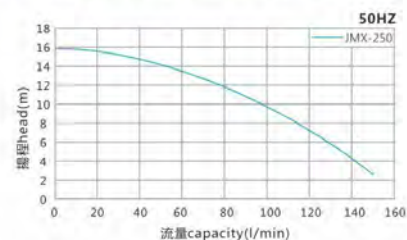
JMX- F- 44 0 C C V 5

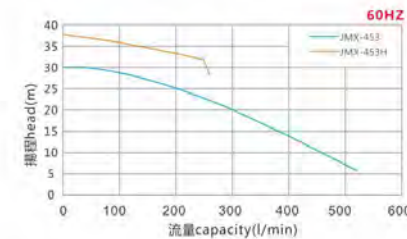
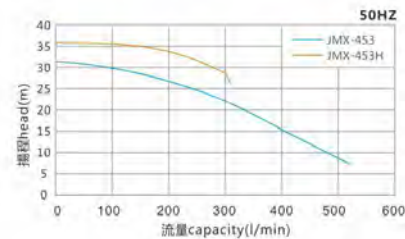
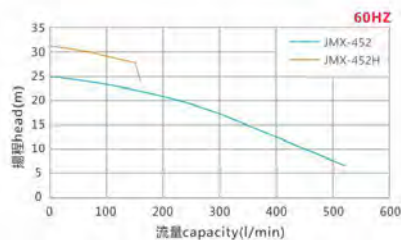
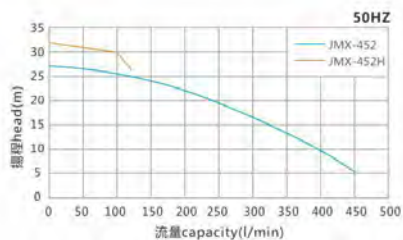
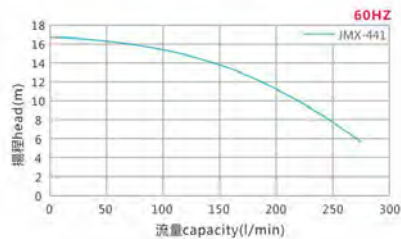
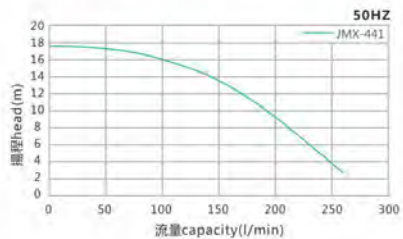
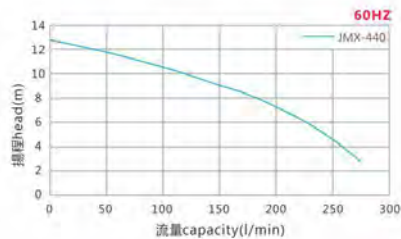
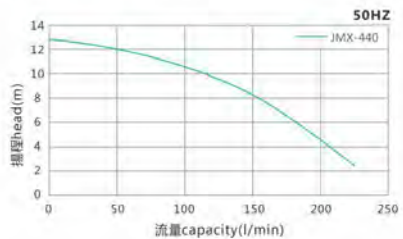
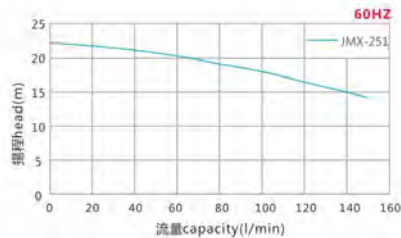
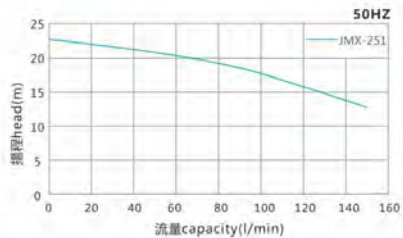
- 機型編號/Model : JMX
- 泵體材質/Material: F-FRPP P-PVDF E-ETFE A-PFA C-CFRPP
- 出入口徑/Outlet-Inlet : 25-25*25 44-40*40 45-40*50
- 功率/Power : 0-1/2HP 1-1HP 2-2HP 3-3HP 5-5HP
- 軸心/Shaft : C-陶瓷Ceramic S-SSIC
- 軸承材質/Bearing Material : C-碳素Carbon S-SSIC
- 橡膠材質/Rubber: E-EPDM V-VITON N-NBR
- 頻率/Frequency : 5-50HZ 6-60HZ

● 規格表/Specifications

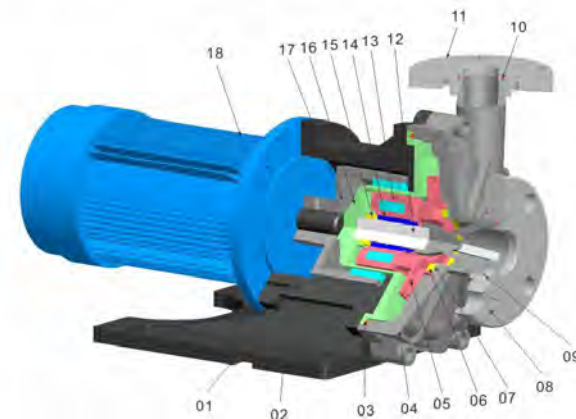
規格 Spec.	入口 Inlet(mm)	出口 Outlet(mm)	50Hz		60Hz		泵浦功率 Power(Kw)
			全揚程 Max.Head (m)	全流量 Max.Capacity (l/min)	全揚程 Max.Head (m)	全流量 Max.Capacity (l/min)	
JMX-250	25	25	15.8	150	17	153	0.37
JMX-251	25	25	22.8	150	22	153	0.75
JMX-440	40	40	12.8	225	12.8	275	0.37
JMX-441	40	40	17.6	260	16.8	275	0.75
JMX-452	50	40	26.9	450	25	520	1.5
JMX-452H	50	40	32	120	32	160	1.5
JMX-453	50	40	31	520	30	520	2.2
JMX-453H	50	40	35.8	310	37.5	260	2.2

● 性能曲線/Performance Curve





● 材質構造圖/Material Structure Diagram



編號 Part Code	名稱 Part Name	可選材料 Available Materials	編號 Part Code	名稱 Part Name	可選材料 Available Materials
01	腳架/Bracket	FRPP	10	出口法蘭O環/Outlet Flange O Ring	VITON / EPDM
02	底座/Horse	FRPP(3.75KW)	11	出口法蘭/Flange Outlet	FRPP / PVDF / CFRPP / ETFE / PFA
03	前蓋O環/Front Cover O Ring	VITON / EPDM	12	軸心/Axis	SSIC / CERAMIC
04	前蓋/Front Cover	FRPP / PVDF / CFRPP / ETFE / PFA	13	內磁鐵/The Magnetic Capsule	PP / PVDF / ETFE / PFA+ND-FE-B
05	葉輪/Impeller	FRPP / PVDF / CFRPP / ETFE / PFA	14	軸承/Bearing	SSIC / CARBON / RULON
06	前磨損環/Wearing Ring	SSIC / CERAMIC / RULON	15	後止推環/Rear Thrust Ring	SSIC / CERAMIC
07	前止推環/Front Thrust Ring	SSIC / CERAMIC	16	後蓋/Rear Cover	FRPP / PVDF / CFRPP / ETFE / PFA
08	進口法蘭/Flange Inlet	FRPP / PVDF / CFRPP / ETFE / PFA	17	外磁/Outside Magnetic	ND-FE-B
09	進口法蘭O環/Inlet Flange O Ring	VITON / EPDM	18	電機/Motor	FC / AL



● 性能特點/Feature Description

- 磁力驅動，無軸封設計，完全杜絕“跑、冒、滴、漏”。
- 採用優質原料，提高產品耐腐蝕性及結構強度。
- 接口多樣，有法蘭、活接、插管，最大程度滿足客戶需求。
- 模塊化生產和組裝，結構簡單，穩定，易於維護保養。
- Magnetic drive, shaft seal-less design, completely forbids "running, exude, drop, leakage".
- Using primary raw materials, improve product corrosion resistance and structural strength.
- Variety of interface, we have flange, union, intubation, maximum to meet customer demand.
- Modular product and assembly, so the structure is simple, secure and easy to maintain.

● 型號表示方法/Model Representation Method

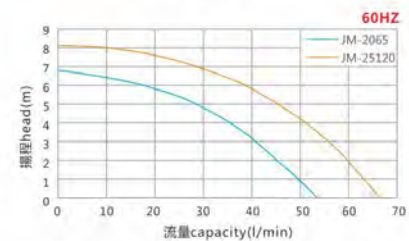
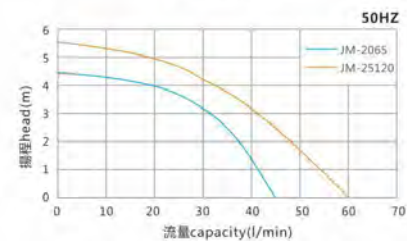
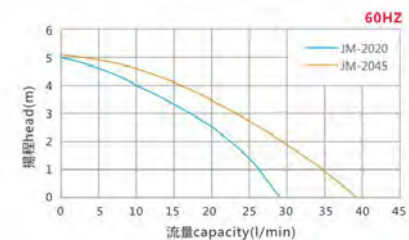
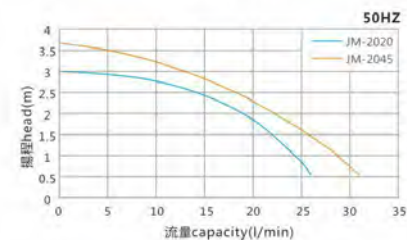
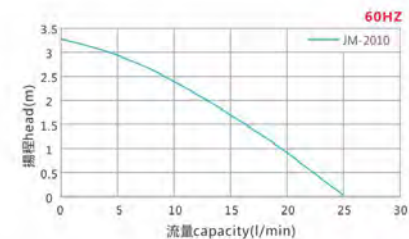
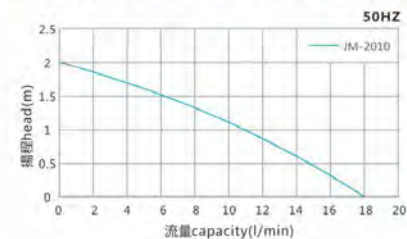
JM- F- 25 260 C C V 3 5

- 機型編號/Model: JM
- 泵體材質/Material: F-FRPP P-PVDF C-CFRPP
- 出入口徑/Outlet-Inlet: 20-20*20 25-25*25
- 功率/Power: 10:10W 20:20W 45:45W 65:65W 120:120W 150:150W 260:260W
- 軸心/Shaft: C-陶瓷Ceramic
- 軸承材質/Bearing Material: C-碳素Carbon S-SSIC
- 橡膠材質/Rubber: E-EPDM V-VITON N-NBR
- 電源規格/Power: 2:220V(1PH) 3:380V(3PH) 無without.特殊規格(Special Specification)
- 頻率Frequency: 5-50HZ 6-60HZ

● 規格表/Specifications

規格 Spec.	入口 Inlet(mm)	出口 Outlet(mm)	50Hz		60Hz		泵浦功率 Power(W)
			全揚程 Max.Head (m)	全流量 Max.Capacity (l/min)	全揚程 Max.Head (m)	全流量 Max.Capacity (l/min)	
JM-2010	20	20	2	18	3.3	25	10
JM-2020	20	20	3	26	5	29	20
JM-2045	20	20	3.8	31	5.1	39	45
JM-2065	20	20	4.5	45	6.8	53	65
JM-25120	25	25	5.6	60	8.1	66	120
JM-25150	25	25	6.9	85	9.4	98	150
JM-25260	25	25	8.8	120	13.7	120	260

● 性能曲線/Performance Curve



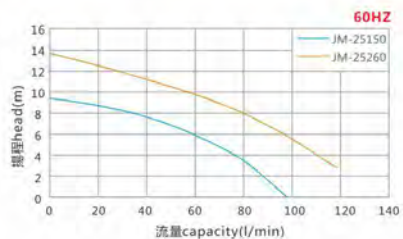
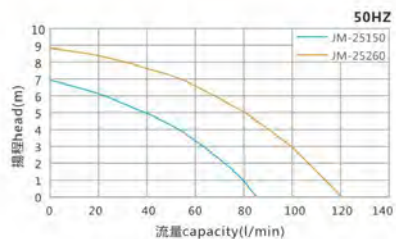
JM SERIES

◆ JM系列

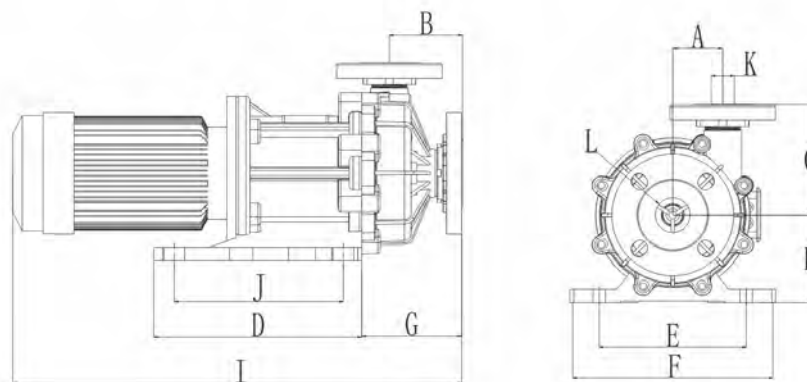
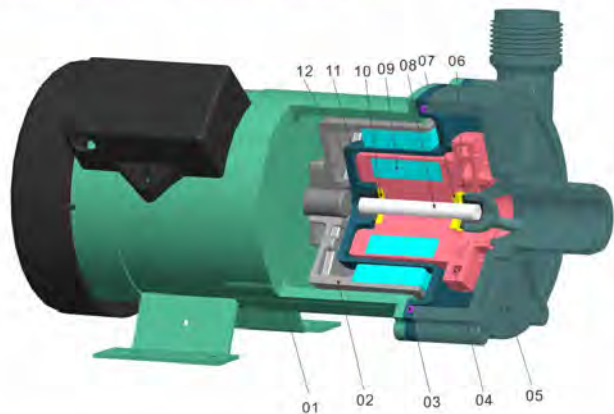


JMH SIZE

◆ JMH安裝尺寸



● 材質構造圖/Material Structure Diagram



● 安裝尺寸表/Dimensions(mm)

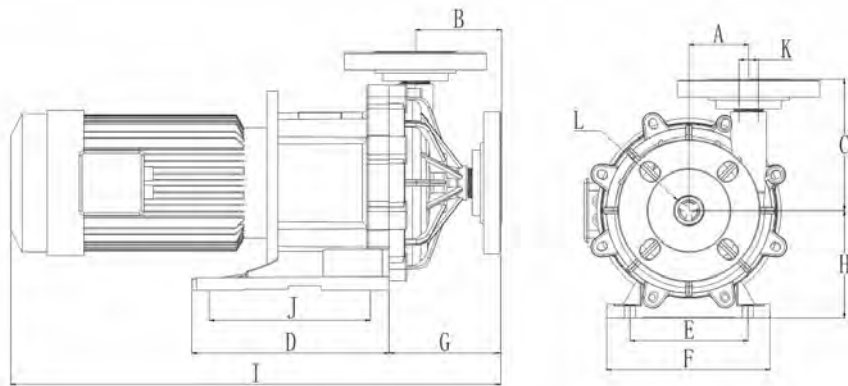
編號 Part Code	名稱 Part Name	可選材料 Available Materials	編號 Part Code	名稱 Part Name	可選材料 Available Materials
01	電機/Motor	FC / AL	07	前磨損環/Front Bearing Ring	SSIC/RULON
02	外磁/Outside Magnetic	ND-FE-B	04	葉輪/Impeller	FRPP/PVDF/CFRPP
03	前蓋O環/Front Cover O Ring	VITON / EPDM	09	內磁鐵/The Magnetic Capsule	PP/PVDF+ND-FE-B
05	前蓋/Front Cover	FRPP / PVDF / CFRPP	10	後磨損環/Back Bearing Ring	SSIC/RULON
06	前止推環/Front Thrust Ring	SSIC / CERAMIC / RULON	11	後止推環/Back Thrust Ring	SSIC/CERAMIC/RULON
08	軸心/Axis	SSIC / CERAMIC	12	後蓋/Rear Cover	FRPP/PVDF/CFRPP

葉輪組
The Group Of Magnetic Capsule

型號/Model	A	B	C	D	E	F	G	H	I	J	K	L
JMH-440	55	90	126	135	111	140	117	98	447	100	Φ40	Φ40
JMH-441	57	107	143	198	133	161	133	116	550	133	Φ40	Φ40
JMH-452	65	95	145	271	211	268	132	114	559	204	Φ40	Φ50
JMH-453	65	95	145	271	211	268	132	114	584	204	Φ40	Φ50
JMH-455	65	95	145	390	229	258	115	138	638	261	Φ40	Φ50
JMH-565	65	110	160	390	229	258	126	138	653	261	Φ50	Φ65

JMX SIZE

◆ JMX安装尺寸

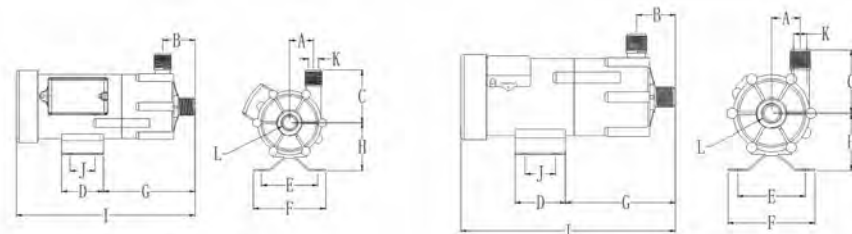


● 安装尺寸表/Dimensions(mm)

型号/Model	A	B	C	D	E	F	G	H	I	J	K	L
JMX-250	67	90	140	204	146	191	120	115	447	133	Φ25	Φ25
JMX-251	67	90	140	204	146	191	120	115	559	133	Φ25	Φ25
JMX-440	55	87	130	198	133	159	112	112	447	130	Φ40	Φ40
JMX-441	70	102	140	215	128	192	130	112	512	130	Φ40	Φ40
JMX-452	80	90	162	276	210	263	121	120.5	512	202	Φ40	Φ50
JMX-452H	80	90	162	276	210	263	121	120.5	512	202	Φ40	Φ50
JMX-453	80	90	162	276	210	263	121	120.5	535	202	Φ40	Φ50
JMX-453H	80	90	162	276	210	263	121	120.5	535	202	Φ40	Φ50

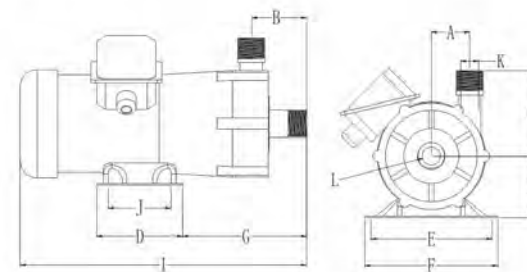
JM SIZE

◆ JM安装尺寸



JM-2010~JM-2065

JM-25120~JM-25150



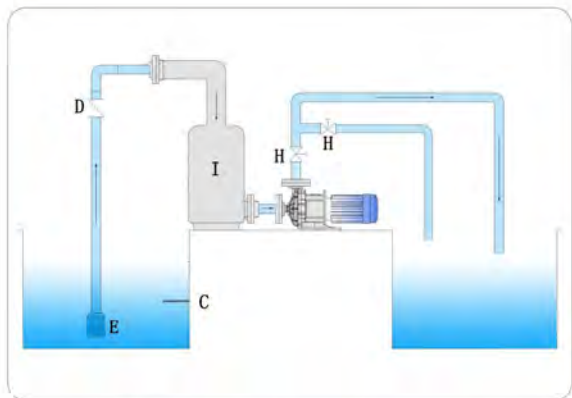
JM-25260

● 安装尺寸表/Dimensions(mm)

型号/Model	A	B	C	D	E	F	G	H	I	J	K	L
JM-2010	22	39	54	50	68	95	92	55	180	/	G3/4	G3/4
JM-2020	31	40	61	50	68	85	107	55	211	30	G3/4	G3/4
JM-2045	31	47	67	65	100	120	136	61	247	41	G3/4	G3/4
JM-2065	31	47	67	65	100	120	136	61	247	41	G3/4	G3/4
JM-25120	41.5	60.5	89.5	75	100	120.5	165	64.5	272	45	G1	G1
JM-25150	43	52	89.5	60	110	130	141.5	65	257.5	40	G1	G1
JM-25260	43.5	65	100	100	108	156	148.5	72.5	325.6	70	G1	G1

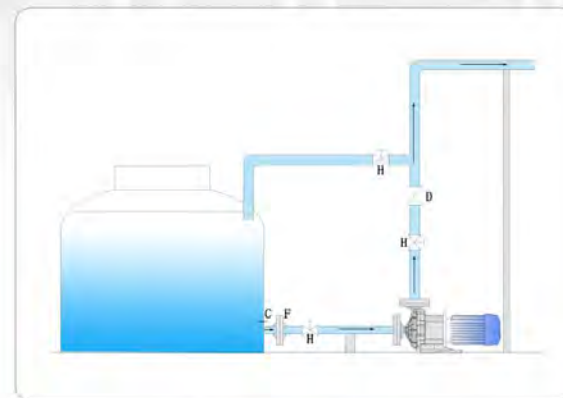
EXAMPLES

◆ 安裝示意圖



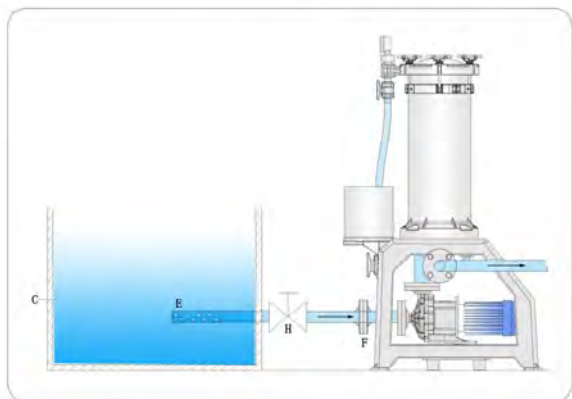
負壓操作/operated at negative pressure

C-工作時最低液面/The lowest level for liquid transfer
 D-止回閥/Check Valve
 E-濾網或底閥/Strainer or Foot Valve H-閥門/Valve
 I-自吸桶/Self-priming Tank



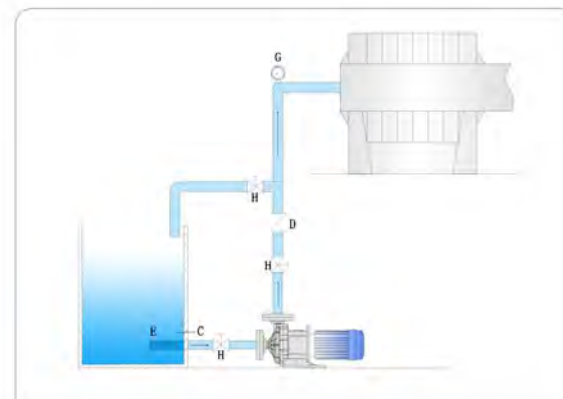
藥液輸送/liquid convey

C-工作時最低液面/The lowest level for liquid transfer
 D-止回閥/Check Valve F-法蘭/Flange H-閥門/Valve



配合過濾器使用/matching with the filter

C-工作時最低液面/The lowest level for liquid transfer
 E-濾網或底閥/Strainer or Foot Valve
 H-閥門/Valve
 F-法蘭/Flange



反應槽用/used for reactive tank

C-工作時最低液面/The lowest level for liquid transfer
 D-止回閥/Check Valve E-濾網或底閥/Strainer or Foot Valve
 G-壓力表/Pressure Gauge H-閥門/Valve